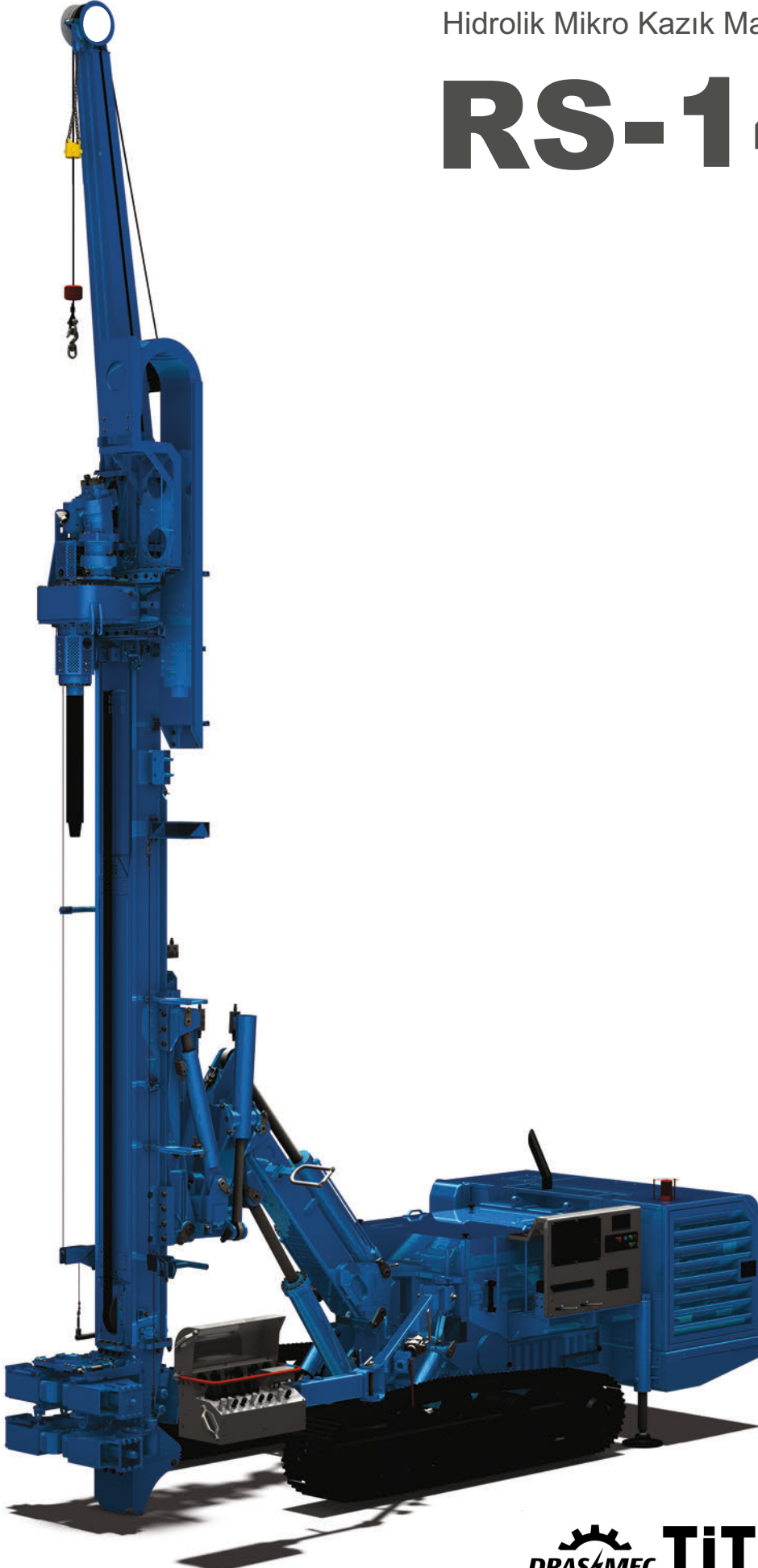


Hidrolik Mikro Kazık Makinası

RS-14



TITIZ
LTD ŞTİ

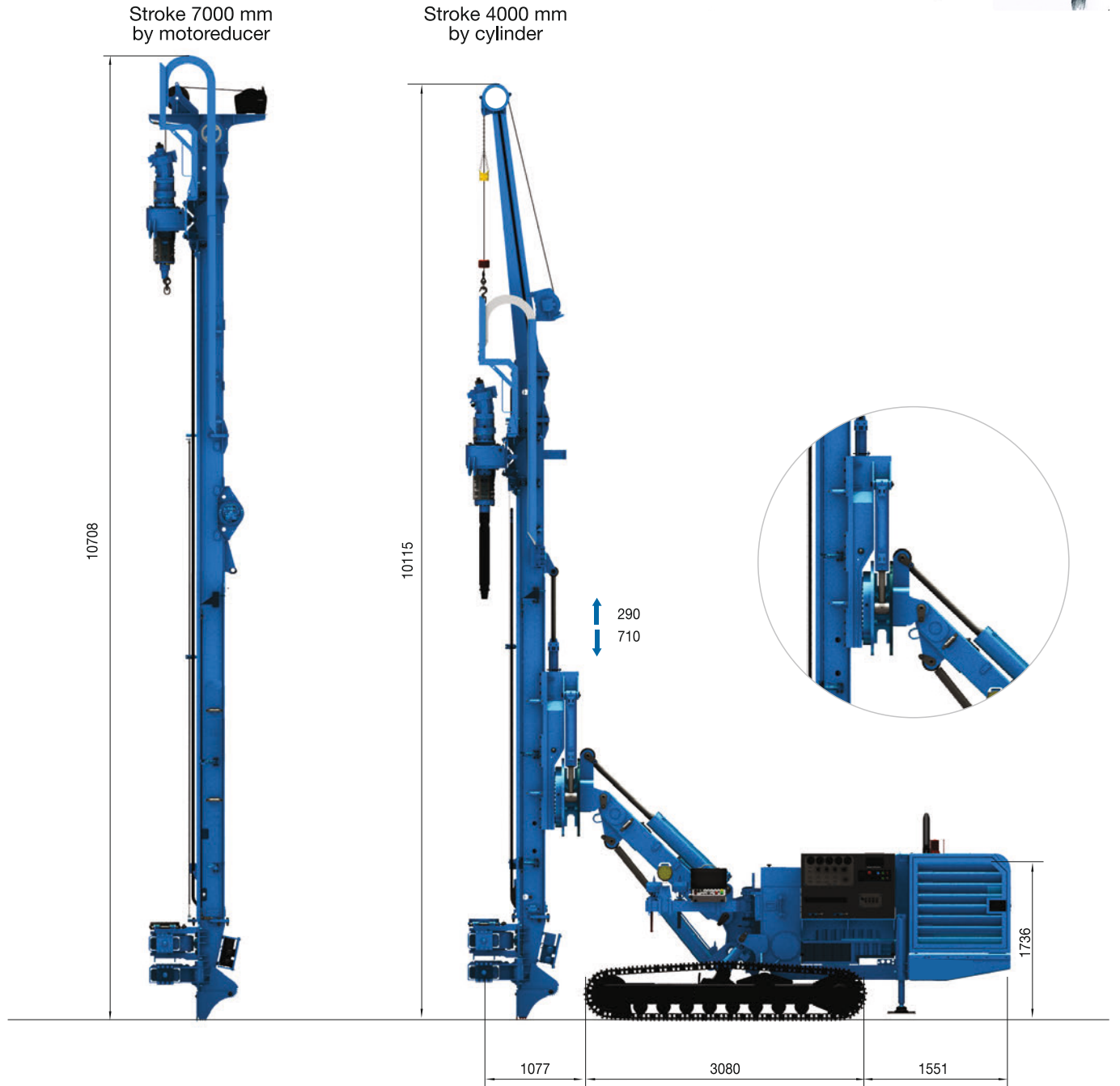


RS-14 Hidrolik Mikro Kazık Makinası

APPLICATIONS



TiTiZ
LTD ŞTi



Hoist & Feed system	Cylinder	Cylinder	Motoreducer	Motoreducer
Feed stroke	4000 mm	157.5 in	4350 - 7000 mm	171.3 - 275.6 in
Rod lenght type (c/w one rotary head)	3 m	9.8 ft	3 / 6 m	9.8 / 19.7 ft
Maximum hoist pull/feed force	89 / 45 kN	20008 / 10116 lbf	72 / 72 kN	16186 / 16186 lbf
Maximum speed (fast/low operation)	28 / 6 m/min	92 / 20 ft/min	29 / 5 m/min	95 / 16 ft/min

Rotary head range	HD 1200V	HD 1200V	HT 1400V	HT 1400V	HTD 2500G	HTD 2500G
Gear box type	Variable	Variable	Variable	Variable	3 ratios	3 ratios
Maximum torque	1210 daNm	8924 lbf*ft	1360 daNm	10031 lbf*ft	2550 daNm	18807 lbf*ft
Maximum rotation	277 rpm	277 rpm	229 rpm	229 rpm	52 rpm	52 rpm
Hollow shaft	114 mm	4.5 in	114 mm	4.5 in	-	-
Inner passage	124 mm	4.9 in	124 mm	4.9 in	101,5 mm	4 in
Maximum tools power	70 kW	94 HP	65 kW	87 HP	70 kW	94 HP



TITIZ
LTD ŞTİ



RS-14 Hidrolik Mikro Kazık Makinası

TECHNICAL DATA SHEET

Undercarriage		
- Track shoe width	400 mm	15.7 in
- Wheel base (centre idler to centre sprocket)	2481 mm	97.7 in
- Overall length	3080 mm	121.2 in
- Overall width (not extendable crawler)	2300 mm	90.6 in
- Travelling speed	2,70 km/h	1.68 mph
- Max climbing capacity (gradeability)	60 % (30°)	60 % (30°)
- Traction force	123 kN	27651 lbf
- Average ground pressure	0,070 MPa	10.2 psi
- Ground stabilizers	n° 2 fixed on rear	n° 2 fixed on rear
Diesel Engine		
	CUMMINS QSB 4.5	CUMMINS QSB 4.5
- Emission certification	Stage IIIA - Tier 3 and Stage IIIB -Tier 4i	Stage IIIA - Tier 3 and Stage IIIB -Tier 4i
- Aspiration	turbocharged and charge air cooled	turbocharged and charge air cooled
- Power rating	119 kW @ 2200 rpm	159 HP @ 2200 rpm
- Fuel tank capacity	200 l	53 US gal
- Sound power level and sound pressure level	LwA 106 - LpA 79 dB(A)	LwA 106 - LpA 79 dB(A)
Electric motor (optional)		
	SIEMENS 4 poles 50Hz 380 / 660 V	SIEMENS 4 poles 50Hz 380 / 660 V
- Power rating	90 kW @ 1485 rpm	121 HP @ 1485 rpm
Hydraulic system		
- Main pumps: variable axial pumps	156 + 156 l/min	41.2 + 41.2 US gal/min
- Set pressure main pumps	28 MPa	4061 psi
- Auxiliary pumps: gear pumps	20 l/min	5.3 US gal/min
- Hydraulic oil tank capacity	400 l	106 US gal
Clamp & hydraulic joint breaker		
- Nominal size	up to 50 - 415 mm	up to 2.0 - 16.3 in
- Maximum clamping force	266 kN	59798 lbf
- Maximum breaking torque	5060 daNm	37321 lbf*ft
- Pull-up extractor clamp force/stroke	100 kN / 400 mm	22481 lbf / 3.9 in
Service winch		
	M5 - L2 - T5	M5 - L2 - T5
- Type	controlled descent	controlled descent
- 1st layer line pull	24 kN	5395 lbf
- 1st layer nominal rope speed	46 m/min	151 ft/min
- Rope diameter	10 mm	0.39 in
- Rope capacity / Rope fitted	46 / 40 m	150.9 / 131.2 ft
Rod carousel		
- N. of rods	3 - 10 - 6	3 - 10 - 6
- Rod diameter	76 - 114 mm	3.0 - 4.5 in
- Rod length	3 m	9.8 ft
- Maximum loaded rods weight	200 / 600 kg	441 / 1323 lb

STANDARD EQUIPMENT

- Crawler undercarriage with $\pm 10^\circ$ tilting gauge
- Diesel Engine Cummins
- Rotary head HD1200V type complete with floating system
- Drill mast with cylinder crowd system for 4000 mm stroke
- Clamp and breaker 50-315 mm
- Drilling controls by means of assembled panel
- Counter side c/w 2 cylinders for 4x90° sectors
- Hydraulic control board for drilling
- Radio remote control for tracking and positioning
- Service winch with jib extension

OPTIONAL EQUIPMENT

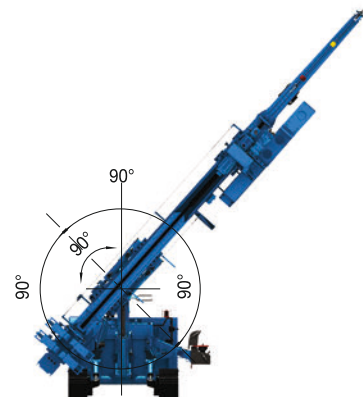
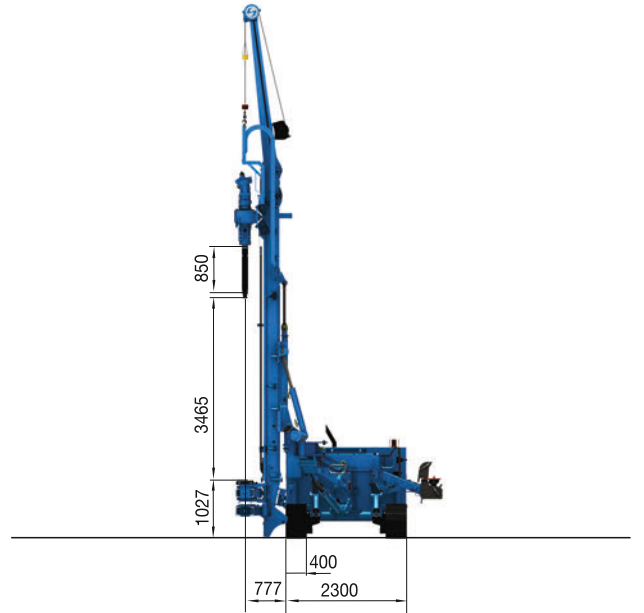
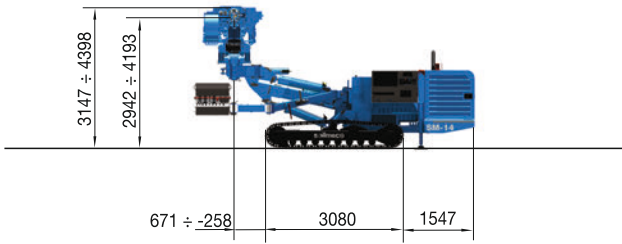
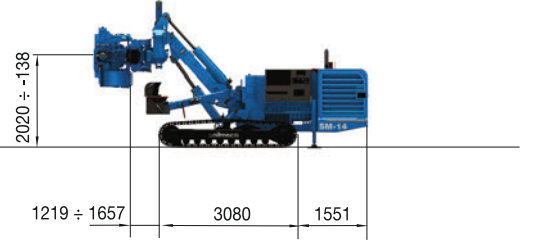
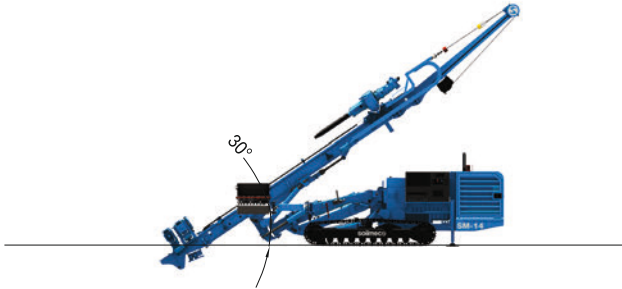
- Electr. engine (90 kW / 121 BHP @ 1485 rpm)
- Modular mast for 4 m or 7 m stroke complete with motored reducer crowd system
- Wide range of rotary head up to 2500 daNm
- Rod carousel up to 10 rods
- Hydraulic lifting crane: 400 kg @ 6m
- Full radio remote control
- Foam pump
- Mud / water pump
- Clamp and breaker up to 60-415mm
- Slew ring on the mast
- Double rotary
- Jet grouting kit for T1/T1S and T2 type
- CFA kit for special technologies
- Top hammer
- Articulated new joint 90° (without pins removal)

RS-14 Hidrolik Mikro Kazık Makinası

MOVIMENTATIONS



TiTiZ
LTD ŞTİ



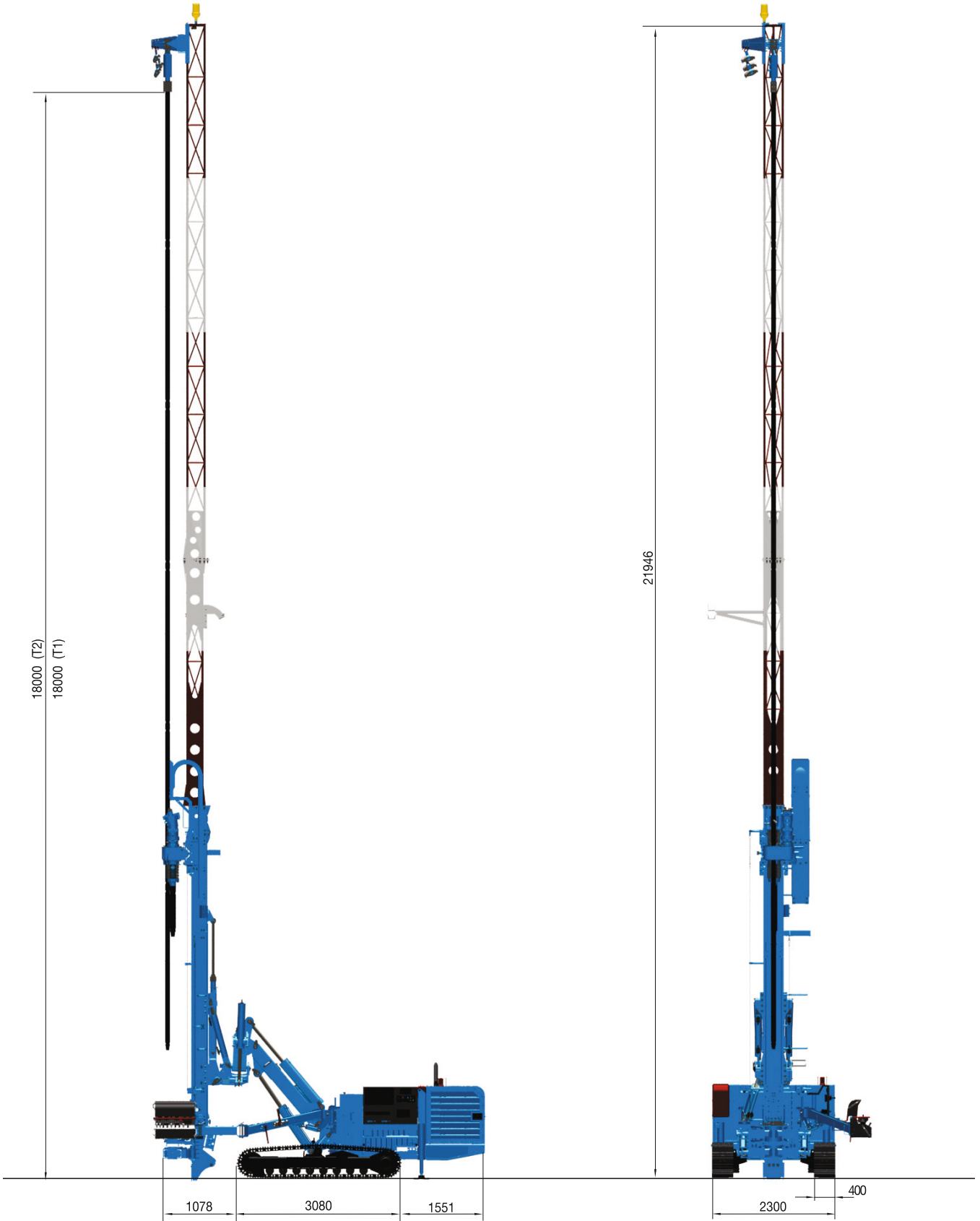


TITIZ
LTD ŞTİ



RS-14 Hidrolik Mikro Kazık Makinası

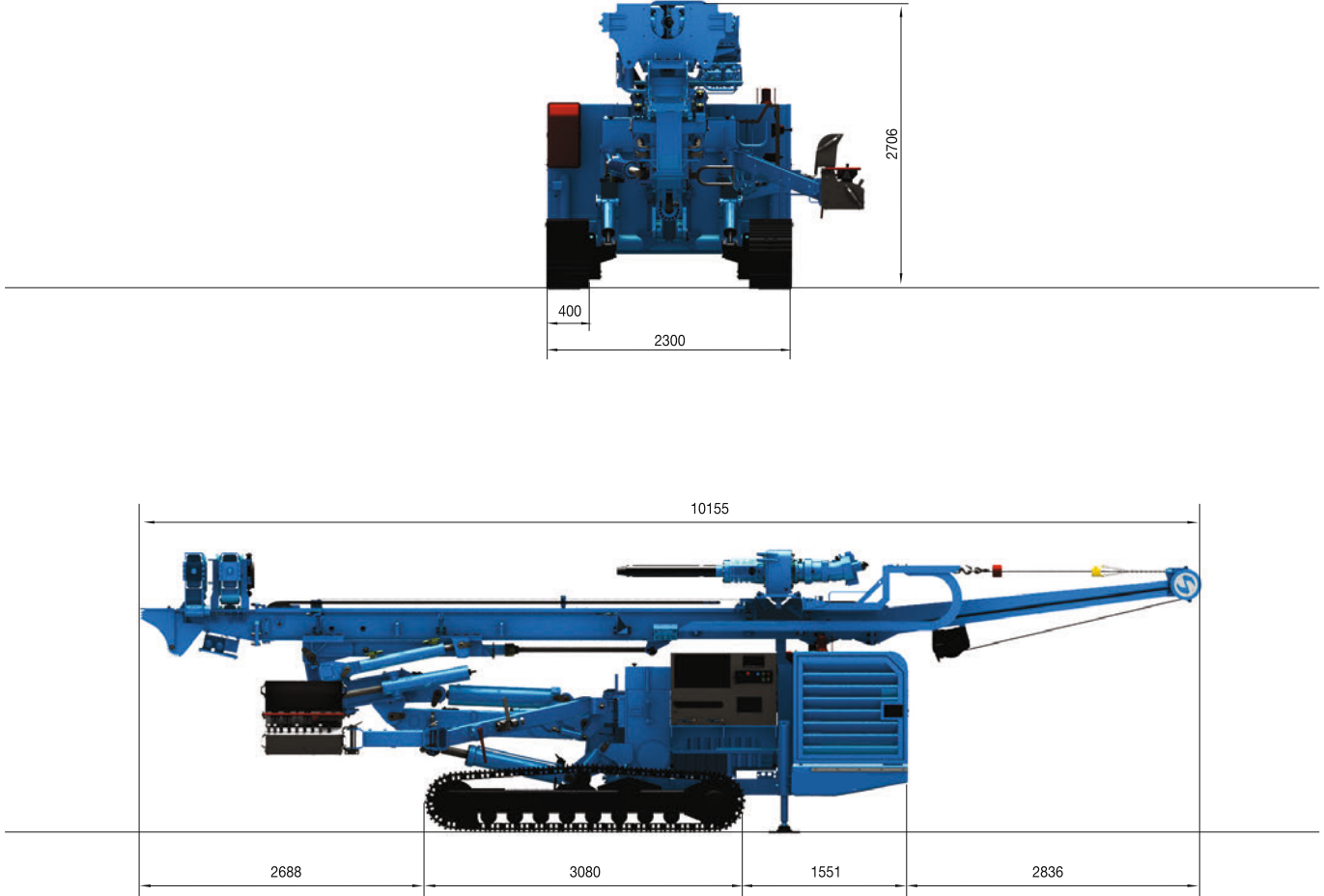
JET GROUTING



JET GROUTING VERSION		
Operating weight in jetting version	15000 / 15100 kg	33069 / 33290 lb
Rod diameter	90 - 114 mm	3.5 - 4.5 in
Max treatment depth in a single passage	18 m	59 ft
Drillguide extensions	4,6 + 10 m	13.1 + 32.8 ft

RS-14 Hidrolik Mikro Kazık Makinası

TRANSPORT, DIMENSIONS AND WEIGHTS



Transport

Transport width	2300 mm	91 in
Transport height	2750 mm	108.3 in
Transport length stroke 4000/ stroke 7000	10155/10424 mm	400/410.4 in
Transport weight stroke 4000/ stroke 7000	14300/14600 kg	31526/32187 lb

* Containerizable

Adres: Ostim Mah. 1232. Sok. No: 107 Yenimahalle/ANKARA/TÜRKİYE
Tel: +90 312 354 07 74 Web : www.titizmakina.com



TiTiZ
LTD ŞTİ

